

iota-audio-design ** News letter **

September 2022

Iota-audio-design are delighted to announce that we are now working in collaboration with **Jasmine Audio**, the specialist manufacturer of vinyl audio Hi-fi products, and as such we are importing a selection of their products into the UK, and holding demonstration stock of the companies tonearm and cartridge products.

This includes the internationally renowned "**Porcelain series**" of high end Moving Coil cartridges, as well as the entry level and above Moving Magnet "**M series**" cartridges. Plus the brand NEW range, the "**Nature series**" of Moving coil cartridges.



From **Jasmine Audio's** tonearm range we will have available the **JS TA214J** the 9" removable headshell "J shaped" arm, and the **JS TA224** carbon fibre fixed headshell 9" arm, plus the companies flagship, the **JS TAAB** air bearing tangent tonearm will also be available, all the tonearms use the standard SME mount / geometry.



JS-TAAB Air-Bearing Tonearm

<http://www.jasmineaudio.net>

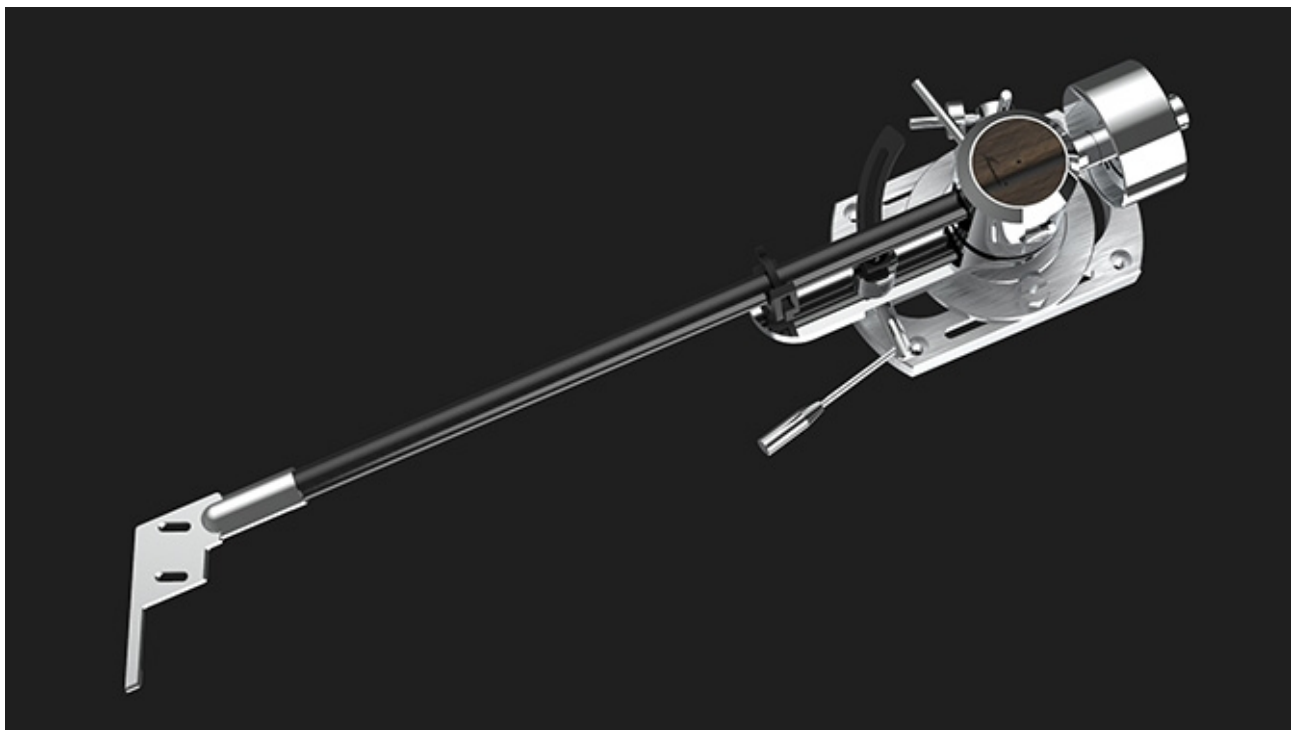
"Jasmine audio was founded in China in 2001 by several domestic and foreign audiophiles who deeply love HIFI culture. In the early stage, it was specifically to manufacture for other HIFI brands. Since 2008, we have independently designed and produced products with the Jasmine brand. Jasmine Audio has won many awards both in China and abroad due to its high reputation in the international market.

Jasmine Audio design and produce top level HIFI audio products. It is our unswerving goal to bring wonderful music enjoyment to users".

The design concept of **Jasmine Audio**

茉莉花设计理念






Pure, simple and natural !



Jasmine audio

Model		MC Cartridge - B&W Porcelain Series-II				MC Cartridge - Nature Series				MM Cartridge	
		Turtle	Tiger	Dragon	Bird	Wind	Forest	Fire	Hill	JS-M1	JS-M2
Type		MC Stereo	MC Stereo	MC Stereo	MC Mono	MC Stereo	MC Stereo	MC Stereo	MC Mono	MM Stereo	MM Stereo
Structure	Stylus	Elliptical diamond stylus	Shibata III stylus	MR	Conical diamond stylus	Conical Jointed-diamond stylus	Elliptical Jointed-diamond stylus	Elliptical diamond stylus	Conical Jointed-diamond stylus	Conical Jointed-diamond stylus	Elliptical Jointed-diamond stylus
	Cantilever	Aluminum	Sapphire	Boron	Aluminum	Aluminum	Aluminum	Aluminum	Aluminum	Aluminum	Aluminum
	Height (mm)	17	17	17	17	16.5	16.5	16.5	16.5	18	18
	Weight (g)	14.1	14.1	15.7	14.1	11	11	11	11	4.8	4.8
Wire type		OCC	OCC	OCC	OCC	OFC	OCC	OCC	OFC	TPC	OFC
Electrical properties	Output level	0.38mV (1KHz, 5cm/s)	0.3mV (1KHz, 5cm/s)	0.28mV (1KHz, 5cm/s)	0.35mV (1KHz, 5cm/s)	0.36mV (1KHz, 5cm/s)	0.32mV (1KHz, 5cm/s)	0.35mV (1KHz, 5cm/s)	0.32mV (1KHz, 5cm/s)	3.5mV (1KHz, 5cm/s)	3.3mV (1KHz, 5cm/s)
	DC Resistance	7Ω	4.3Ω	6Ω	3.8Ω	7Ω	6Ω	9.5Ω	5Ω	270Ω	240Ω
	Frequency response	20-20KHz ±1dB	20-20KHz ±1dB	20-20KHz ±1dB	20-20KHz ±1dB	20-20KHz ±1dB	20-20KHz ±1dB	20-20KHz ±1dB	20-20KHz ±1dB	20-20KHz ±1dB	20-20KHz ±1dB
	channel separation	>27dB	>29dB	>30dB		>25dB	>27dB	>28dB		>23dB	>25dB
	channel balance	<1.0dB	<0.8dB	<0.5dB		<0.5dB	<0.5dB	<0.5dB		<1.5dB	<1dB
Application parameters	Compliance value	16μm/mN	16μm/mN	16μm/mN	16μm/mN	16μm/mN	16μm/mN	16μm/mN	16μm/mN	9μm/mN	9μm/mN
	Load Impedance	>=70Ω	>=50Ω	>=60Ω	>=50Ω	>=70Ω	>=60Ω	>=100Ω	>=50Ω	47KΩ	47KΩ
	Load Capacity									100pF-200pF	100pF-200pF
	Recommended tracking force	1.8g	1.8g	1.8g	1.8g	1.8g	1.8g	1.8g	1.8g	2.5g	2.5g
	tracking force range	1.7-2.5g	1.7-2.5g	1.7-2.5g	1.7-2.5g	1.7-2.5g	1.7-2.5g	1.7-2.5g	1.7-2.5g	2-3g	2-3g
	Run-in period	20h	20h	20h	20h	20h	20h	20h	20h	20h	20h

Jasmine audio

Picture					
Model	JS-TA214J	JS-TA224	JS-TB297	JS-TA297	JS-TAAB
Status of Production	Mass production	Mass production	Mass production	Under updating	Under updating
Type	9" Dynamic Balance Tonearm	9" Pivot Tonearm	12" Dynamic Balance Pivot Tonearm	12" Uni-Point Oil Damping Tonearm	Air-Bearing Tangent Tonearm
Effective length	230mm	240mm	309mm	309mm	170-180mm (Adjustable)
Pivot to Spindle distance	214mm	224mm	297mm	297mm	230mm
Overhang	16mm	16mm	12mm	12mm	
Offset angle	22.7°	22.2°	16.9°	16.9°	0°
Peak Distortion	≤0.8%	≤0.7%	≤0.5%	≤0.5%	
Null points	60.94mm / 116.58mm	62.41mm/118.95mm	61.60mm / 118.06mm	61.60mm, 118.06mm	
Cartridge weight	min.5, max.17g	min.5, max.12g	min.5, max.17g	min.5, max.17g	min.6, max.18g
Effective mass	4g (Without headshell)	7g	5g (Without headshell)	13g	200g
Total weight	514g	238g	579g	585g	800g
Packing Size	417*185*185mm	460*176*176mm	470*185*180mm	470*185*180mm	350*350*150mm
Packing Weight	1.4kg	1.0kg	1.47kg	2.5kg	2kg
Arm mount distance	214mm	224mm	297mm	297mm	210-220mm (Adjustable)
Bearing type	ballbearing	ballbearing	ballbearing	Uni-Point bearing	Precision airbrush bearing
Tracking Distortion	≤0.8%	≤0.7%	≤0.5%	≤0.5%	0°
VTA adjustment	Y	Y	Y	Y	Y
Azimuth adjustment	Y	Y	Y	Y	Y
ARM Wand	Stainless steel	Carbon fiber	Stainless steel	Carbon fiber	Dual carbon fiber arm tubes, physical separation between left and right channels
Air Pump					Long life, silent air pump (0.1bar)
Tonearm Cable	N	N	Y	Y	Y

The **iota-audio-design**, Jasmine Audio product price list.

All our prices are the actual cost you will pay for any of the Jasmine Audio products in the UK.

Disclaimer: When comparing prices from any non UK based supplier, those prices will be quoted EXCLUDING the current 20% VAT that will be added automatically by HMRC for any item that is imported into the UK from the rest of the world, additional import duties, shipping, & insurance costs, may also be applied by a non UK supplier.

MM cartridges

- Jasmine M1 MM cartridge @..... £55.00
- Jasmine M2 MM cartridge @..... £85.00

Nature MC Series cartridges

- Jasmine Wind MC cartridge @.....£375.00
- Jasmine Forest MC cartridge @..... £475.00
- Jasmine Fire MC cartridge @..... £675.00
- Jasmine Hill **MONO** MC cartridge @..... £475.00

Porcelain MC Series II Cartridges

- Jasmine Turtle MC cartridge @.....£ 1,195.00
- Jasmine Bird **MONO** MC cartridge @.....£ 1,695.00
- Jasmine Tiger MC cartridge @.....£ 2,095.00
- Jasmine Dragon MC cartridge @.....£ 3,450.00

Jasmine Audio Tonearms & accessories

- JS TA224 9" tonearm @...£675.00
- JS TA214J 9" tonearm @...£ 995.00**NB
 - JS TA297 12" tonearm @...£1,845.00
- JS TB297 12" tonearm @...£ 1, 895.00**NB
- JS TAAB 9" Tangential tonearm @...£2,695.00
- VP2 tonearm protractor/set out tool @...£295.00

**** NB:**A headshell is not supplied as standard by Jasmine Audio with these arms. However we have a range of different headshell styles, colours, materials, & finishes, at additional cost P.O.A.